

Standard Fixture Whips

Product Data Sheet

We are the leading American manufacturer of fixture whips for the electrical construction industry. Our pre-wired armored cable fixture whips are factory fabricated wiring assemblies typically used for lighting and power distribution in commercial buildings.

Our Fixture Whips consist of flexible metal conduit (FMC), .375" (3/8") and .5" (1/2") trade sizes and meet all requirements of the 2023 National Electrical Code. These pre-assembled Fixture Whips provide an excellent mechanical protection and a cost-effective, reliable installation. The connectors used are designed to simplify the connection to metallic junction boxes and luminaires. Typical applications include both new and remodeled commercial buildings, industrial facilities, shopping centers, hotels, as well as health care, educational and recreational facilities.

- Factory fabricated wiring assemblies typically used for lighting and power distribution in commercial buildings.
- A cost-effective and efficient alternative to traditional labor-intensive pipe and wire installation methods. Easy to install and wire, and ready to use right out of the box.
- Available in .375" and .5" trade sizes with conductors stripped 5/8".
- Available in stranded or solid wire, and with die cast screw-in, die cast snap-in, or polycarbonate snap-in connectors.
- Meets the requirements of the 2023 National Electrical Code: Articles 348.20(A)(2)(5), 348.22, 410.117(A)(B)(C), and 410.137(C).



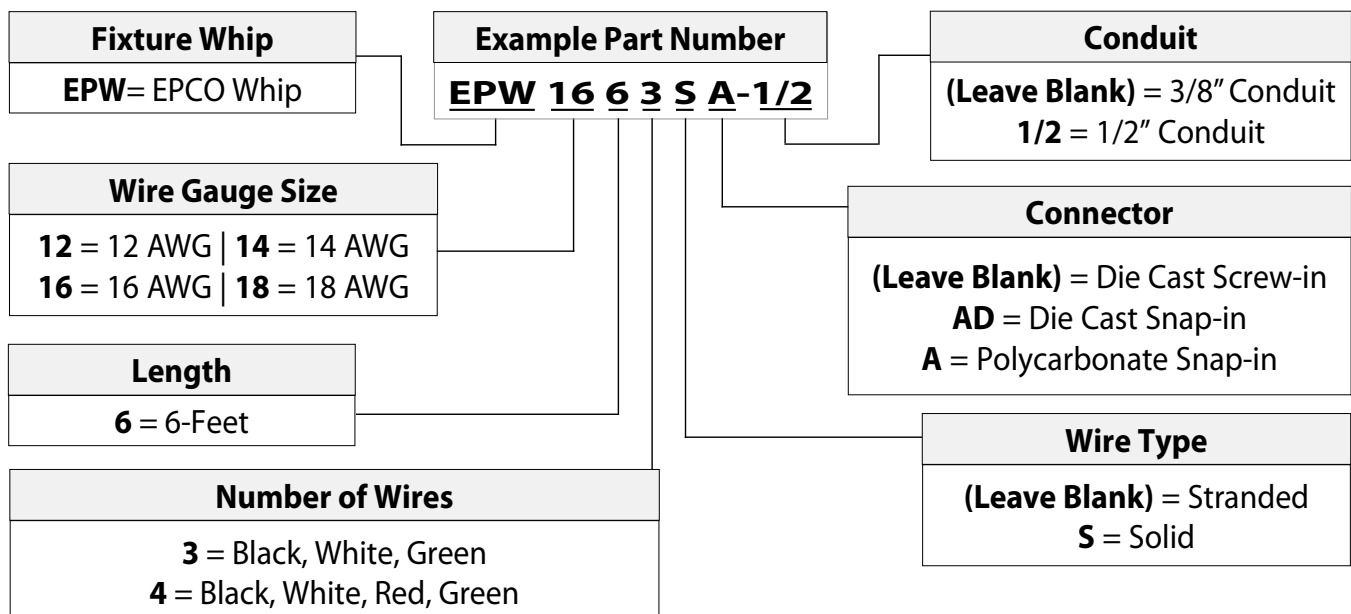
Die Cast
Screw-In
Connector



Die Cast
Snap-In
Connector



Polycarbonate
Snap-In
Connector



STANDARD FIXTURE WHIPS

Catalog Number	UPC Number	Description	Order Unit	Unit Qty	Unit Pkg	Units/Case	TL Case Qty	Min Order Qty	MM Req	Ship Wt (Lbs)
Standard Fixture Whips: 6-Foot, Stranded Wire, Die Cast Snap-In Connectors, .375" Conduit										
EPW1263AD	10556	3-12 AWG Stranded Wire, 6-FT, Black, White, Green	EA	1	BRL	100	100	10	Yes	190
EPW1264AD	10558	4-12 AWG Stranded Wire, 6-FT, Black, Red, White, Green	EA	1	BRL	100	100	10	Yes	170
EPW1462AD	10560	2-14 AWG Stranded Wire, 6-FT, Black, White	EA	1	BRL	100	100	10	Yes	160
EPW1463AD	10369	3-14 AWG Stranded Wire, 6-FT, Black, White, Green	EA	1	BRL	100	100	10	Yes	170
EPW1464AD	10442	4-14 AWG Stranded Wire, 6-FT, Black, Red, White, Green	EA	1	BRL	100	100	10	Yes	180
EPW1662AD	10566	2-16 AWG Stranded Wire, 6-FT, Black, White	EA	1	BRL	100	100	10	Yes	155
EPW1663AD	10517	3-16 AWG Stranded Wire, 6-FT, Black, White, Green	EA	1	BRL	100	100	10	Yes	165
EPW1664AD	10568	4-16 AWG Stranded Wire, 6-FT, Black, Red, White, Green	EA	1	BRL	100	100	10	Yes	175
EPW1862AD	10569	2-18 AWG Stranded Wire, 6-FT, Black, White	EA	1	BRL	100	100	10	Yes	155
EPW1863AD	10281	3-18 AWG Stranded Wire, 6-FT, Black, White, Green	EA	1	BRL	100	100	10	Yes	160
EPW1864AD	10280	4-18 AWG Stranded Wire, 6-FT, Black, Red, White, Green	EA	1	BRL	100	100	10	Yes	170
Standard Fixture Whips: 6-Foot, Solid Wire, Die Cast Snap-In Connectors, .375" Conduit										
EPW1263SAD	10557	3-12 AWG Solid Wire, 6-FT, Black, White, Green	EA	1	BRL	100	100	10	Yes	190
EPW1264SAD	10559	4-12 AWG Solid Wire, 6-FT, Black, Red, White, Green	EA	1	BRL	100	100	10	Yes	170
EPW1462SAD	10561	2-14 AWG Solid Wire, 6-FT, Black, White	EA	1	BRL	100	100	10	Yes	160
EPW1463SAD	10450	3-14 AWG Solid Wire, 6-FT, Black, White, Green	EA	1	BRL	100	100	10	Yes	170
EPW1464SAD	10529	4-14 AWG Solid Wire, 6-FT, Black, Red, White, Green	EA	1	BRL	100	100	10	Yes	180
EPW1862SAD	10570	2-18 AWG Solid Wire, 6-FT, Black, White	EA	1	BRL	100	100	10	Yes	155
EPW1863SAD	10367	3-18 AWG Solid Wire, 6-FT, Black, White, Green	EA	1	BRL	100	100	10	Yes	160
EPW1864SAD	10368	4-18 AWG Solid Wire, 6-FT, Black, Red, White, Green	EA	1	BRL	100	100	10	Yes	170
Standard Fixture Whips: 6-Foot, Stranded Wire, Polycarbonate Snap-In Connectors, .375" Conduit										
EPW1263A	10319	3-12 AWG Stranded Wire, 6-FT, Black, White, Green	EA	1	BRL	100	100	10	Yes	190
EPW1463A	10317	3-14 AWG Stranded Wire, 6-FT, Black, White, Green	EA	1	BRL	100	100	10	Yes	170
EPW1464A	10326	4-14 AWG Stranded Wire, 6-FT, Black, Red, White, Green	EA	1	BRL	100	100	10	Yes	180
EPW1662A	10323	2-16 AWG Stranded Wire, 6-FT, Black, White	EA	1	BRL	100	100	10	Yes	155
EPW1663A	10324	3-16 AWG Stranded Wire, 6-FT, Black, White, Green	EA	1	BRL	100	100	10	Yes	165
EPW1664A	10325	4-16 AWG Stranded Wire, 6-FT, Black, Red, White, Green	EA	1	BRL	100	100	10	Yes	175
EPW1862A	10320	2-18 AWG Stranded Wire, 6-FT, Black, White	EA	1	BRL	100	100	10	Yes	155
EPW1863A	10321	3-18 AWG Stranded Wire, 6-FT, Black, White, Green	EA	1	BRL	100	100	10	Yes	160
EPW1864A	10322	4-18 AWG Stranded Wire, 6-FT, Black, Red, White, Green	EA	1	BRL	100	100	10	Yes	170
Standard Fixture Whips: 6-Foot, Solid Wire, Polycarbonate Snap-In Connectors, .375" Conduit										
EPW1262SA	10347	2-12 AWG Solid Wire, 6-FT, Black, White	EA	1	BRL	100	100	10	Yes	175
EPW1263SA	10348	3-12 AWG Solid Wire, 6-FT, Black, White, Green	EA	1	BRL	100	100	10	Yes	190
EPW1463SA	10345	3-14 AWG Solid Wire, 6-FT, Black, White, Green	EA	1	BRL	100	100	10	Yes	170
EPW1464SA	10346	4-14 AWG Solid Wire, 6-FT, Black, Red, White, Green	EA	1	BRL	100	100	10	Yes	180
EPW1663SA	10342	3-16 AWG Solid Wire, 6-FT, Black, White, Green	EA	1	BRL	100	100	10	Yes	165
EPW1664SA	10343	4-16 AWG Solid Wire, 6-FT, Black, Red, White, Green	EA	1	BRL	100	100	10	Yes	175
EPW1863SA	10339	3-18 AWG Solid Wire, 6-FT, Black, White, Green	EA	1	BRL	100	100	10	Yes	160
EPW1864SA	10340	4-18 AWG Solid Wire, 6-FT, Black, Red, White, Green	EA	1	BRL	100	100	10	Yes	170

UNITS OF MEASURE KEY Order Unit: The Unit to be ordered; Unit Qty: Number of pieces in each Unit; Unit Pkg: Unit Packages contained in the case - Packaging types - BG (Bag), BRL (Barrel), BX (Box), BN (Bulk), PKG (Package), EA (Each), RL (Roll), LB (Pound), C (Hundred), M (Thousand); Units/Case: Unit packages contained in the Case; TL Case Qty: The total number of items in each Master Case; Min Order Qty: The smallest Unit that can be ordered; MM Req: Must order multiples of the Unit in the stated quantities; Ship Wt (Lbs): Total weight of the units per Carton

STANDARD FIXTURE WHIPS

Catalog Number	UPC Number	Description	Order Unit	Unit Qty	Unit Pkg	Units/Case	TL Case Qty	Min Order Qty	MM Req	Ship Wt (Lbs)
Standard Fixture Whips: 6-Foot, Stranded Wire, Die Cast Screw-In Connectors, .375" Conduit										
EPW1263	10315	3-12 AWG Stranded Wire, 6-FT, Black, White, Green	EA	1	BRL	100	100	10	Yes	190
EPW1462	10303	2-14 AWG Stranded Wire, 6-FT, Black, White	EA	1	BRL	100	100	10	Yes	160
EPW1463	10307	3-14 AWG Stranded Wire, 6-FT, Black, White, Green	EA	1	BRL	100	100	10	Yes	170
EPW1464	10308	4-14 AWG Stranded Wire, 6-FT, Black, Red, White, Green	EA	1	BRL	100	100	10	Yes	180
EPW1662	10300	2-16 AWG Stranded Wire, 6-FT, Black, White	EA	1	BRL	100	100	10	Yes	155
EPW1663	10301	3-16 AWG Stranded Wire, 6-FT, Black, White, Green	EA	1	BRL	100	100	10	Yes	165
EPW1664	10302	4-16 AWG Stranded Wire, 6-FT, Black, Red, White, Green	EA	1	BRL	100	100	10	Yes	175
EPW1862	10297	2-18 AWG Stranded Wire, 6-FT, Black, White	EA	1	BRL	100	100	10	Yes	155
EPW1863	10298	3-18 AWG Stranded Wire, 6-FT, Black, White, Green	EA	1	BRL	100	100	10	Yes	160
EPW1864	10299	4-18 AWG Stranded Wire, 6-FT, Black, Red, White, Green	EA	1	BRL	100	100	10	Yes	170
Standard Fixture Whips: 6-Foot, Solid Wire, Die Cast Screw-In Connectors, .375" Conduit										
EPW1263S	10337	3-12 AWG Solid Wire, 6-FT, Black, White, Green	EA	1	BRL	100	100	10	Yes	190
EPW1462S	10333	2-14 AWG Solid Wire, 6-FT, Black, White	EA	1	BRL	100	100	10	Yes	160
EPW1463S	10334	3-14 AWG Solid Wire, 6-FT, Black, White, Green	EA	1	BRL	100	100	10	Yes	170
EPW1464S	10335	4-14 AWG Solid Wire, 6-FT, Black, Red, White, Green	EA	1	BRL	100	100	10	Yes	180
EPW1662S	10330	2-16 AWG Solid Wire, 6-FT, Black, White	EA	1	BRL	100	100	10	Yes	155
EPW1663S	10331	3-16 AWG Solid Wire, 6-FT, Black, White, Green	EA	1	BRL	100	100	10	Yes	165
EPW1664S	10332	4-16 AWG Solid Wire, 6-FT, Black, Red, White, Green	EA	1	BRL	100	100	10	Yes	175
EPW1862S	10327	2-18 AWG Solid Wire, 6-FT, Black, White	EA	1	BRL	100	100	10	Yes	155
EPW1863S	10328	3-18 AWG Solid Wire, 6-FT, Black, White, Green	EA	1	BRL	100	100	10	Yes	160
EPW1864S	10329	4-18 AWG Solid Wire, 6-FT, Black, Red, White, Green	EA	1	BRL	100	100	10	Yes	170
Standard Fixture Whips: 6-Foot, Stranded Wire, Die Cast Screw-In Connectors, .5" Conduit										
EPW1263-1/2	11600	3-12 AWG Stranded Wire, 6-FT, Black, White, Green	EA	1	BRL	100	100	10	Yes	186
EPW1264-1/2	10286	4-12 AWG Stranded Wire, 6-FT, Black, Red, White, Green	EA	1	BRL	100	100	10	Yes	195
EPW1463-1/2	10309	3-14 AWG Stranded Wire, 6-FT, Black, White, Green	EA	1	BRL	100	100	10	Yes	175
EPW1464-1/2	10313	4-14 AWG Stranded Wire, 6-FT, Black, Red, White, Green	EA	1	BRL	100	100	10	Yes	180
Standard Fixture Whips: 6-Foot, Solid Wire, Die Cast Screw-In Connectors, .5" Conduit										
EPW1263S-1/2	10314	3-12 AWG Solid Wire, 6-FT, Black, White, Green	EA	1	BRL	100	100	10	Yes	186
EPW1264S-1/2	10289	4-12 AWG Solid Wire, 6-FT, Black, Red, White, Green	EA	1	BRL	100	100	10	Yes	195
EPW1463S-1/2	10575	3-14 AWG Solid Wire, 6-FT, Black, White, Green	EA	1	BRL	100	100	10	Yes	175
EPW1464S-1/2	10577	4-14 AWG Solid Wire, 6-FT, Black, Red, White, Green	EA	1	BRL	100	100	10	Yes	180

UNITS OF MEASURE KEY Order Unit: The Unit to be ordered; Unit Qty: Number of pieces in each Unit; Unit Pkg: Unit Packages contained in the case - Packaging types - BG (Bag), BRL (Barrel), BX (Box), BN (Bulk), PKG (Package), EA (Each), RL (Roll), LB (Pound), C (Hundred), M (Thousand); Units/Case: Unit packages contained in the Case; TL Case Qty: The total number of items in each Master Case; Min Order Qty: The smallest Unit that can be ordered; MM Req: Must order multiples of the Unit in the stated quantities; Ship Wt (Lbs): Total weight of the units per Carton

Custom Fixture Whips Order Form

We will build "Labor Saving" Fixture Whips to your specifications. Please use the information below to specify your non-Catalog Custom Fixture Whip requirements.

Engineered Products Company, Attention: Inside Sales Department, FAX: 952.767.8786

If you need a quote on more than one Custom Fixture Whip, please complete a separate form for each variation.

Distributor: _____ Contact: _____

Address: _____ City: _____ State/Zip: _____

Sales Agency: _____ Contact Name: _____ Target Price (\$): _____
(required)

Wire (TFFN or THHN): Solid Stranded Wire Lead Length: 6-inch 12-inch Other (specify) _____

Wire Gauge: 12 14 16 18 Connector Type: Left End Right End (specify) _____

Select a connector type (number) for each Fixture Whip from the Connector Reference Guide shown below.

Wire Colors: Black White Red Conduit Material: 3/8-inch 1/2-inch (Flexible Metal, Steel)

Green Blue Grey *Liquid Tight Conduit: 3/8-inch 1/2-inch

Brown Purple Pink Insulated Throat: Yes No

Orange Yellow Other* (specify): _____

Conduit Length: 6-Foot 8-Foot 10-Foot 12-Foot Other* _____ *require longer lead times

Quantity Needed: _____ Requested Shipping Date: _____

Description: _____

If your application requires a Connector other than what is shown in the Reference Guide, please indicate the following:

Connector Type: _____
Manufacturer: _____
Part Number: _____

Push-in Wire Connectors: Select wire color AND choose which end requires a Push-in Wire Connector:



- | | | | | | | | | |
|-----------------------------------|------------------------------------|---------------------------------|-----------------------------------|------------------------------------|---------------------------------|-----------------------------------|------------------------------------|-------------------------------|
| <input type="checkbox"/> Left End | <input type="checkbox"/> Right End | <input type="checkbox"/> Black | <input type="checkbox"/> Left End | <input type="checkbox"/> Right End | <input type="checkbox"/> White | <input type="checkbox"/> Left End | <input type="checkbox"/> Right End | <input type="checkbox"/> Red |
| <input type="checkbox"/> Left End | <input type="checkbox"/> Right End | <input type="checkbox"/> Green | <input type="checkbox"/> Left End | <input type="checkbox"/> Right End | <input type="checkbox"/> Blue | <input type="checkbox"/> Left End | <input type="checkbox"/> Right End | <input type="checkbox"/> Grey |
| <input type="checkbox"/> Left End | <input type="checkbox"/> Right End | <input type="checkbox"/> Brown | <input type="checkbox"/> Left End | <input type="checkbox"/> Right End | <input type="checkbox"/> Purple | <input type="checkbox"/> Left End | <input type="checkbox"/> Right End | <input type="checkbox"/> Pink |
| <input type="checkbox"/> Left End | <input type="checkbox"/> Right End | <input type="checkbox"/> Orange | <input type="checkbox"/> Left End | <input type="checkbox"/> Right End | <input type="checkbox"/> Yellow | | | |

CONNECTOR REFERENCE GUIDE

Common connectors used on pre-made assembly.



Size: 3/8": P/N E00-001-000
1/2": P/N E00-026-000

Type: Screw-in
Material: Die Cast
Insulated: Yes or No (circle one)



Size: 3/8": P/N E00-003-000
1/2": P/N E00-005-000

Type: Screw-in/Snap-in
Material: Die Cast
Insulated: Yes or No (circle one)



Size: 3/8": P/N E00-003-001

Type: Set Screw, Snap-in
Material: Die Cast
Insulated: No



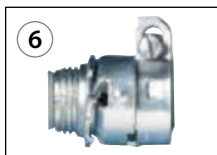
Size: 3/8": P/N E00-041-000
1/2": P/N E00-042-000

Type: Set Screw, Squeeze
Material: Die Cast
Insulated: No



Size: 3/8": P/N E00-002-000
1/2": P/N E00-013-000

Type: Exterior, Snap-in
Material: Plastic w/Steel
Insulated: Yes



Size: 3/8": P/N E00-041-002
1/2": P/N E00-042-002

Type: Set Screw, Squeeze
Material: Steel
Insulated: 3/8": No
1/2": Yes



Size: 3/8": P/N E00-054-000
1/2": P/N E00-055-000

Type: Set Screw, Squeeze
Material: Steel
Insulated: Yes



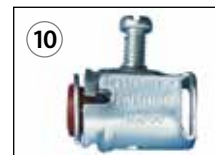
Size: 3/8": P/N E00-007-000
1/2": P/N E00-010-000

Type: Set Screw, 90°
Material: Die Cast
Insulated: Yes or No (circle one)



Size: 3/8": P/N E00-015-000
1/2": P/N E00-005-001

Type: Snap-in, 90°
Material: Die Cast
Insulated: No



Size: 3/8": P/N E00-002-002
1/2": P/N E00-005-002

Type: Speed Lock Style,
Snap-in
Material: Steel
Insulated: Yes

Retrofit Fixture Whips

- Labor saving Fixture Whips that expedite the installation process when contractors upgrade existing fluorescent luminaires with new energy saving ballast.
- Available in stranded or solid wire with die cast screw-in connectors on each end.
- Available in .375" trade size with conductors stripped 5/8".
- Meets the requirements of the 2023 National Electrical Code: Articles 348.20(A)(2)(5), 348.22, 348.30(A), 410.117(A)(B)(C), and 410.137(C), 517.12, 517.13(A).



Retrofit Fixture Whips with Die Cast Screw-In Connectors

Wired luminaire sections are paired, with a ballast(s) supplying a lamp or lamps in both. For interconnection between paired units, it shall be permissible to use metric designator 12 (trade size 3/8") flexible metal conduit in lengths not exceeding 7.5 m (25-ft) in conformance with Article 348. Luminaire wire operating at line voltage, supplying only the ballast(s) of one of the paired luminaires, shall be permitted in the same raceway as the lamp supply wires of the paired luminaires. See Figure 1.

Catalog Number	UPC Number	Description	Order Unit	Unit Qty	Unit Pkg	Units/Case	TL Case Qty	Min Order Qty	MM Req	Ship Wt (Lbs)
Retrofit Fixture Whips: Die Cast Screw-In Connector on Each End, .375" Conduit										
EPW18103	10400	3-18 AWG Stranded Wire, 10-FT, Black, White, Green	EA	1	BRL	100	100	10	Yes	133
EPW18104	10402	4-18 AWG Stranded Wire, 10-FT, Black, Red, White, Green	EA	1	BRL	100	100	10	Yes	142
Retrofit Fixture Whips: Die Cast Screw-In Connector on Each End, .375" Conduit										
EPW18103S	10401	3-18 AWG Solid Wire, 10-FT, Black, White, Green	EA	1	BRL	100	100	10	Yes	133
EPW18104S	10403	4-16 AWG Solid Wire, 10-FT, Black, Red, White, Green	EA	1	BRL	100	100	10	Yes	171

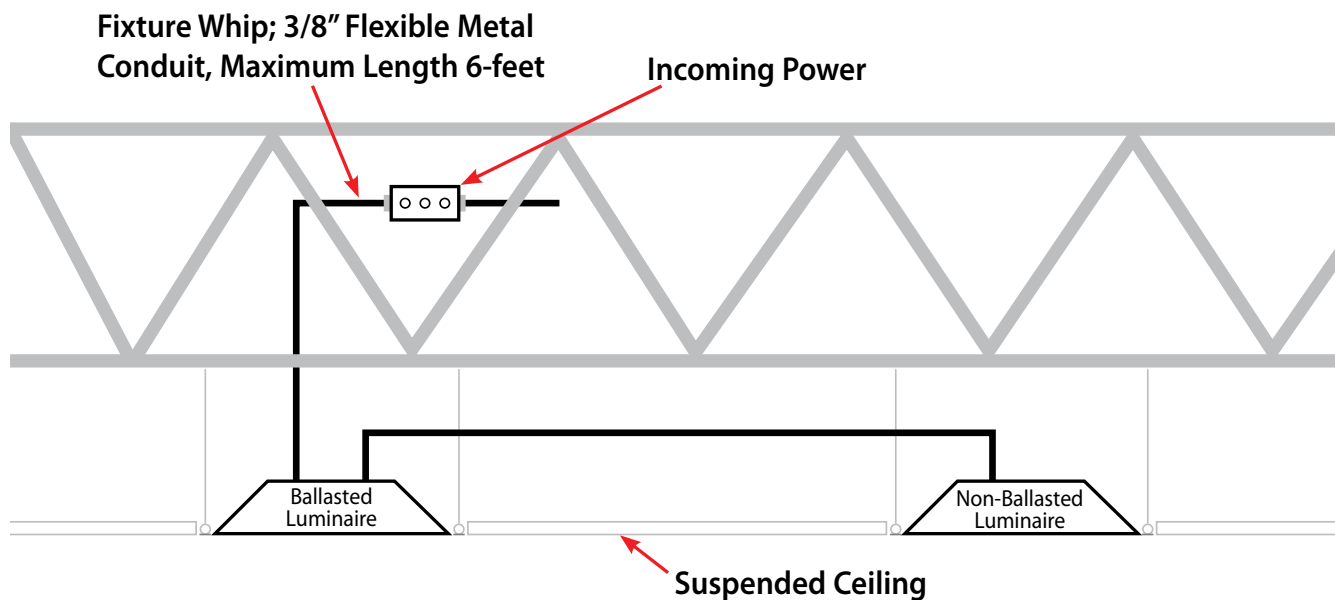


Figure 1: Allowable application for a Flexible Metal Conduit (FMC) Fixture Whip with a maximum 25-foot restriction.

UNITS OF MEASURE KEY Order Unit: The Unit to be ordered; Unit Qty: Number of pieces in each Unit; Unit Pkg: Unit Packages contained in the case - Packaging types - BG (Bag), BRL (Barrel), BX (Box), BN (Bulk), PKG (Package), EA (Each), RL (Roll), LB (Pound), C (Hundred), M (Thousand); Units/Case: Unit packages contained in the Case; TL Case Qty: The total number of items in each Master Case; Min Order Qty: The smallest Unit that can be ordered; MM Req: Must order multiples of the Unit in the stated quantities; Ship Wt (Lbs): Total weight of the units per Carton

Quikwhip™ Fixture Whips

- Pre-attached WAGO wire connectors add speed and dependability.
- No tools required! A cost-effective solution that eliminates lock nuts and wire nuts.
- Average Time Savings: 45% or up to three (3) minutes per luminaire installation.
- Available in stranded or solid wire, with die cast snap-in connectors.
- Meets the requirements of the 2023 National Electrical Code: Articles 348.20 (A)(2)(5), 348.22, 410.117 (A, B, and (C), and 410.137 (C), 517.12, 517.13 (A).



Quikwhip with Die Cast Snap-In Connector

Catalog Number	UPC Number	Description	Order Unit	Unit Qty	Unit Pkg	Units/Case	TL Case Qty	Min Order Qty	MM Req	Ship Wt (Lbs)
QuikWhips: Die Cast Snap-In Connectors, WAGO Wire Connectors, .375" Conduit										
EPW1463ADP2-HNG	10531	3-14 AWG, Stranded Wire, 6-FT, Black, White, Green; WAGO on both ends, Hot, Neutral, and Ground	EA	1	BRL	100	100	10	Yes	171
EPW1464ADP2-HNG	10532	4-14 AWG Stranded Wire, 6-FT, Black, Red, White, Green; WAGO on both ends, Hot, Neutral, and Ground	EA	1	BRL	100	100	10	Yes	171
QuikWhips: Die Cast Snap-In Connectors, WAGO Wire Connectors, .375" Conduit										
EPW1263SADP1-HN	10548	3-12 AWG Solid Wire, 6-FT, Black, White, Green; WAGO on one end, Hot and Neutral	EA	1	BRL	100	100	10	Yes	191
EPW1263SADP2-HNG	10535	3-12 AWG Solid Wire, 6-FT, Black, White, Green; WAGO on both ends, Hot, Neutral, and Ground	EA	1	BRL	100	100	10	Yes	191
EPW1863SADP2-HNG	10533	3-18 AWG Solid Wire, 6-FT, Black, White, Green; WAGO on both ends, Hot, Neutral, and Ground	EA	1	BRL	100	100	10	Yes	161
EPW1864SADP2-HNG	10534	4-18 AWG Solid Wire, 6-FT, Black, Red, White, Green; WAGO on both ends, Hot, Neutral, and Ground	EA	1	BRL	100	100	10	Yes	171

UNITS OF MEASURE KEY

Order Unit: The Unit to be ordered; **Order Qty:** Number of pieces in each Unit; **Unit Pkg:** Packaging types - BG (Bag), BX (Box), BRL (Barrel); **Units/Case:** Unit packages contained in the Case; **TL Case Qty:** The total number of items in each Master Case; **Min Order Qty:** The smallest Unit that can be ordered; **MM Req:** Must order multiples of the Unit in the stated quantities; **Ship Wt (Lbs):** Total weight of the units per Carton

E02-150-001 (02/23 AJ)
2023 Engineered Products Company. All Rights Reserved.

